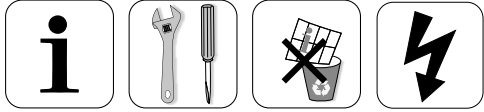


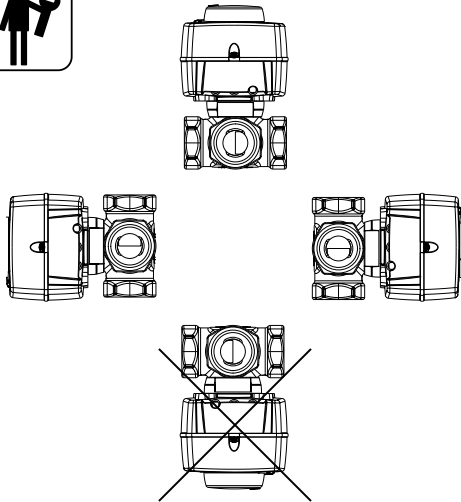
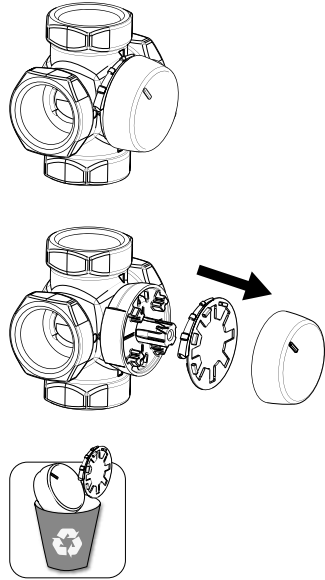
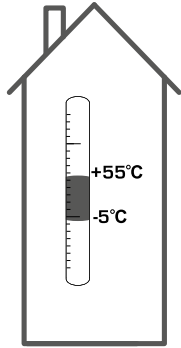
ESBE SERIES ARA600 3-Point



Series ARA6x1
Series ARA6x2
Series ARA6x3
Series ARA6x4

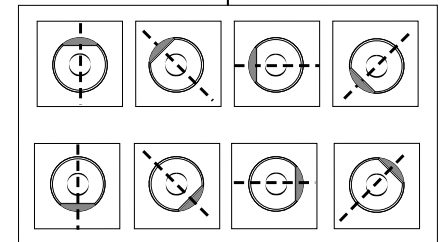
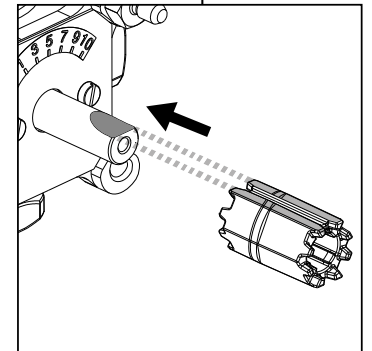
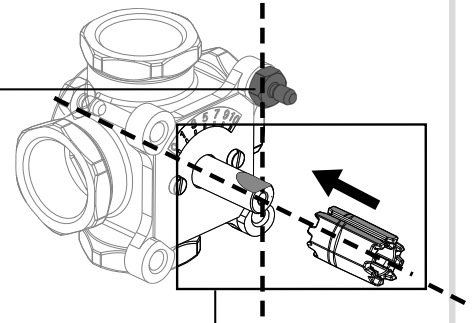


LVD 2014/35/EU
EMC 2014/30/EU
RoHS3 2015/863/EU



Series MG, G, F, H, HG, BIV, T, TM

	DN15-25	
	DN20-40	
	DN50	
	DN20-25	
	DN32-50	
	H: DN25	
	H: DN32-50	
	HG: DN25	
	DN20-22	
	DN25	
	T: DN20-32	
	TM: DN20	



VRG, VRB, VRH



3MG, 4MG



3G, 4G



3F, 4F ≤ DN50



3HG, 4HG, 3H, 4H



BIV



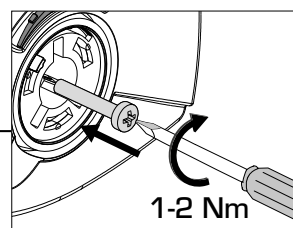
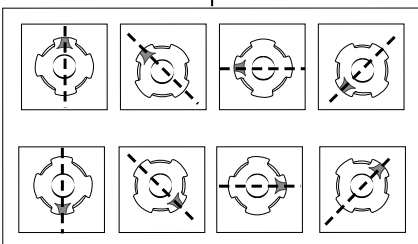
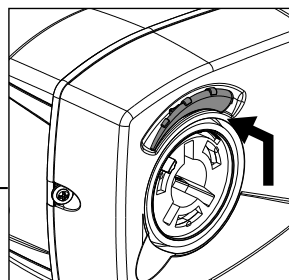
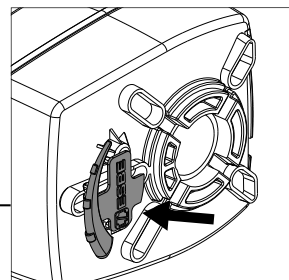
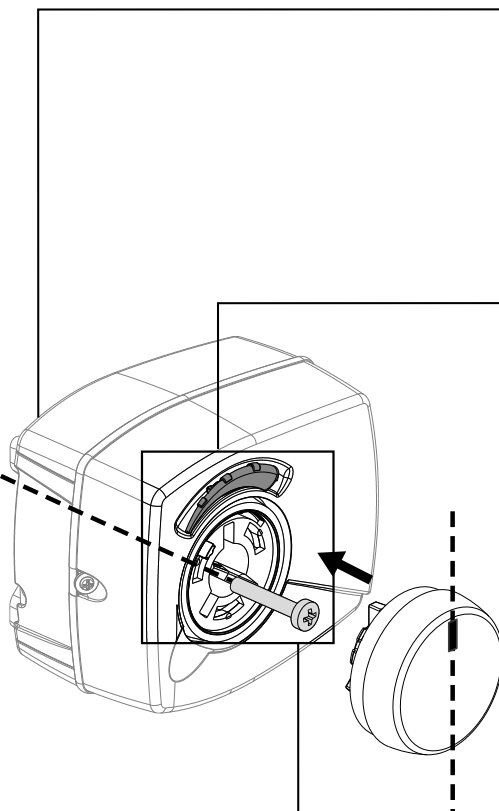
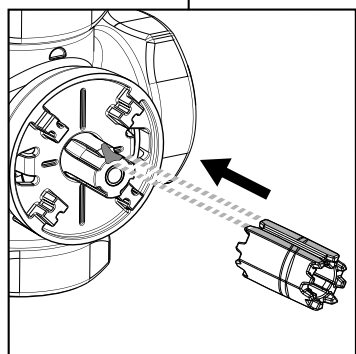
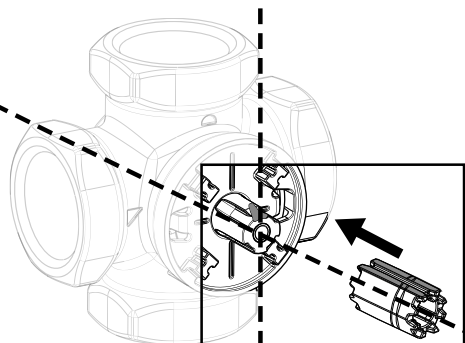
T, TM



VRC160

Series VRGxxx, VRBxxx, VRHxxx

Series VRCxxx



www.esbe.eu

Mtrl.nr: 9814 02 75 • Ritr.nr: 8081 Vers.K • Rev. 2021-12-01

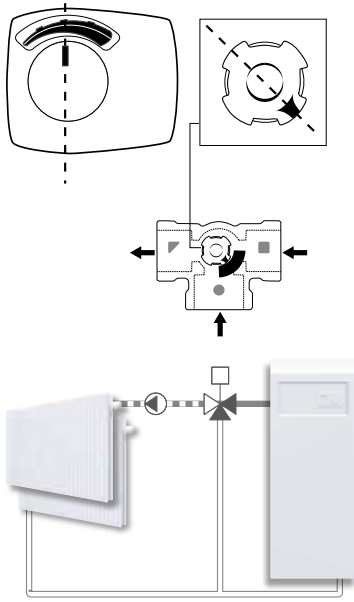


SERIES ARA600 3-Point

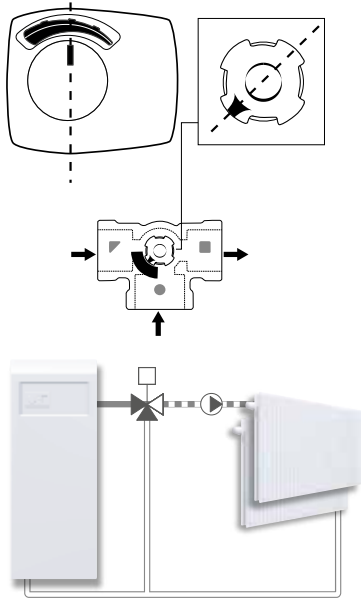


SERIES VRG130

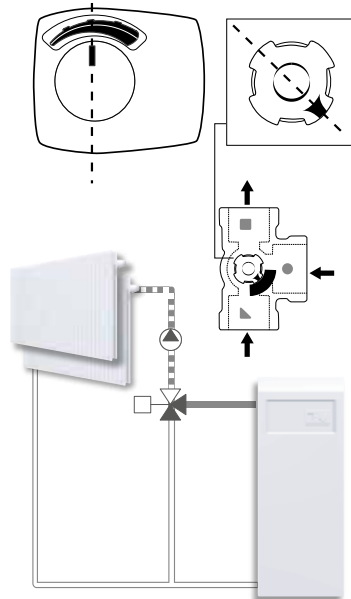
a



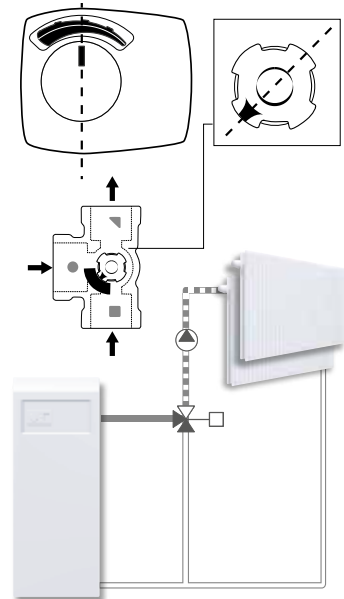
b



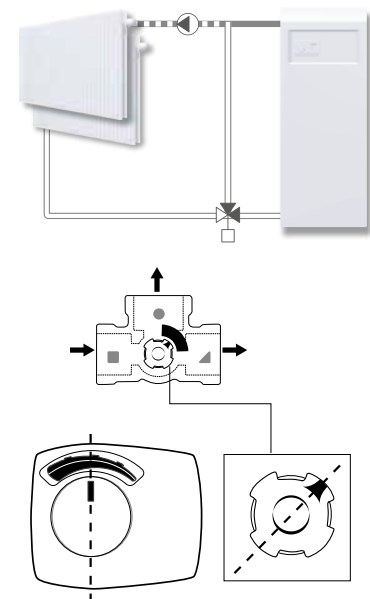
c



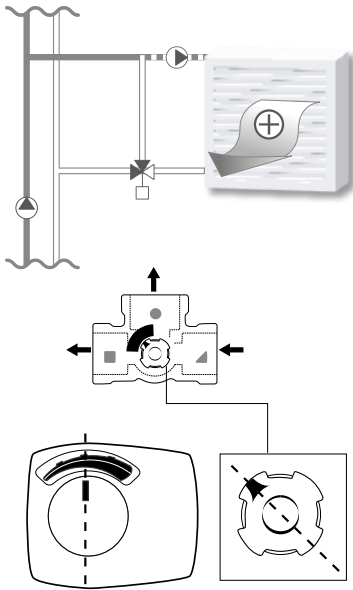
d



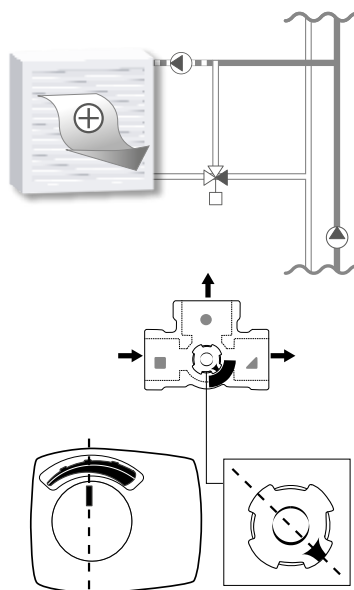
e



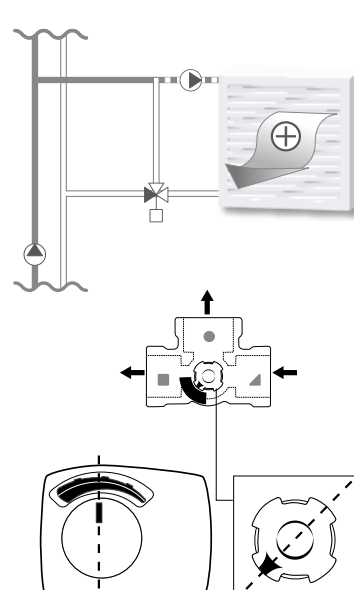
j



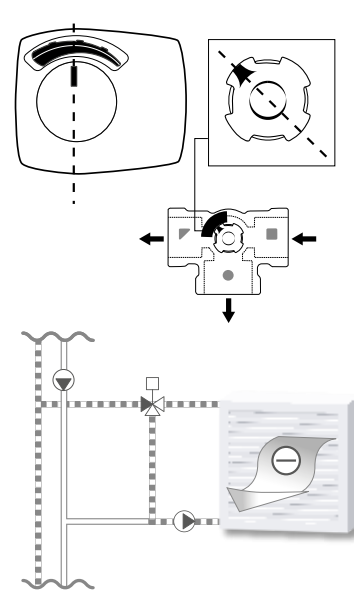
k



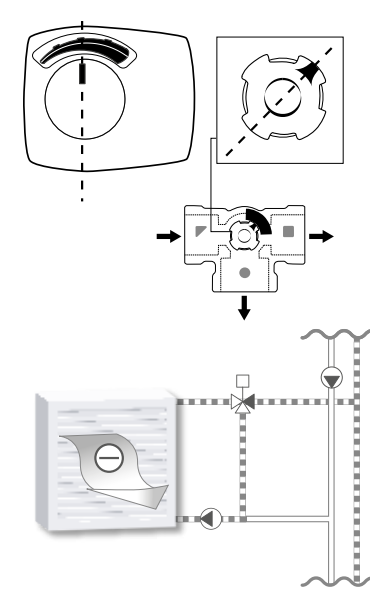
l



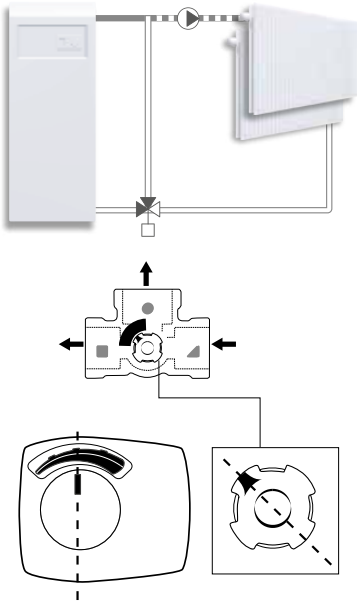
m



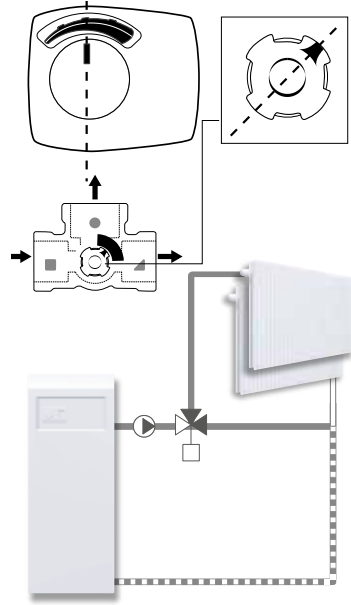
n



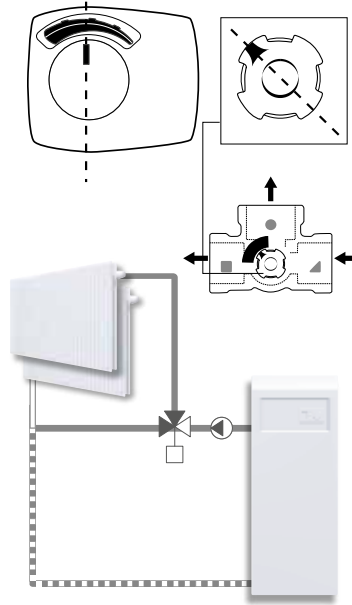
f



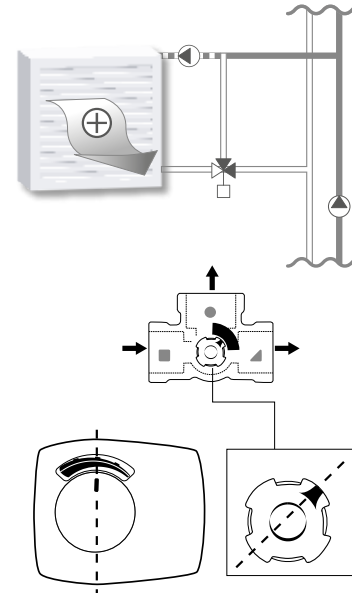
g



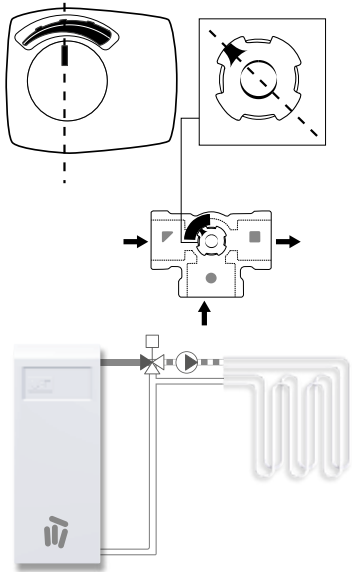
h



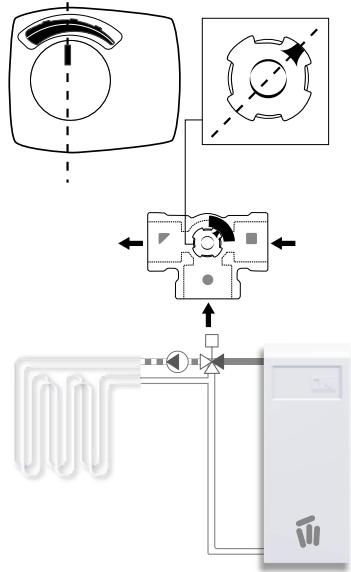
i



o

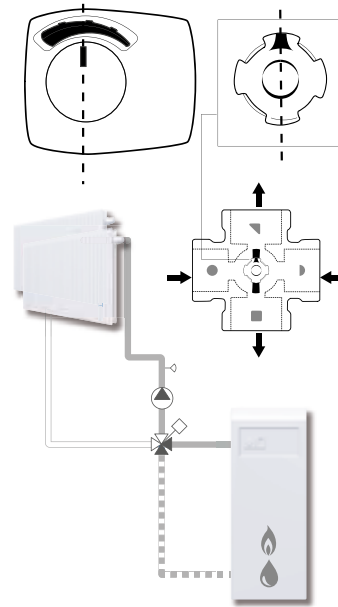


p

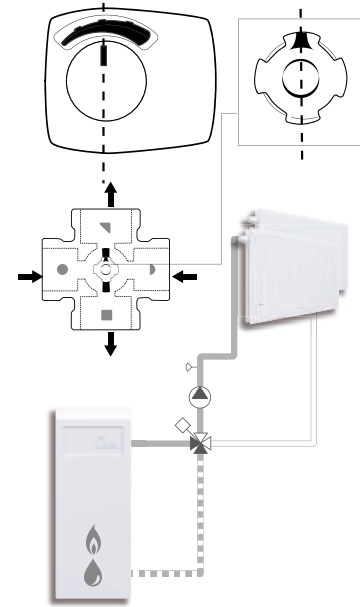


SERIES VRG140

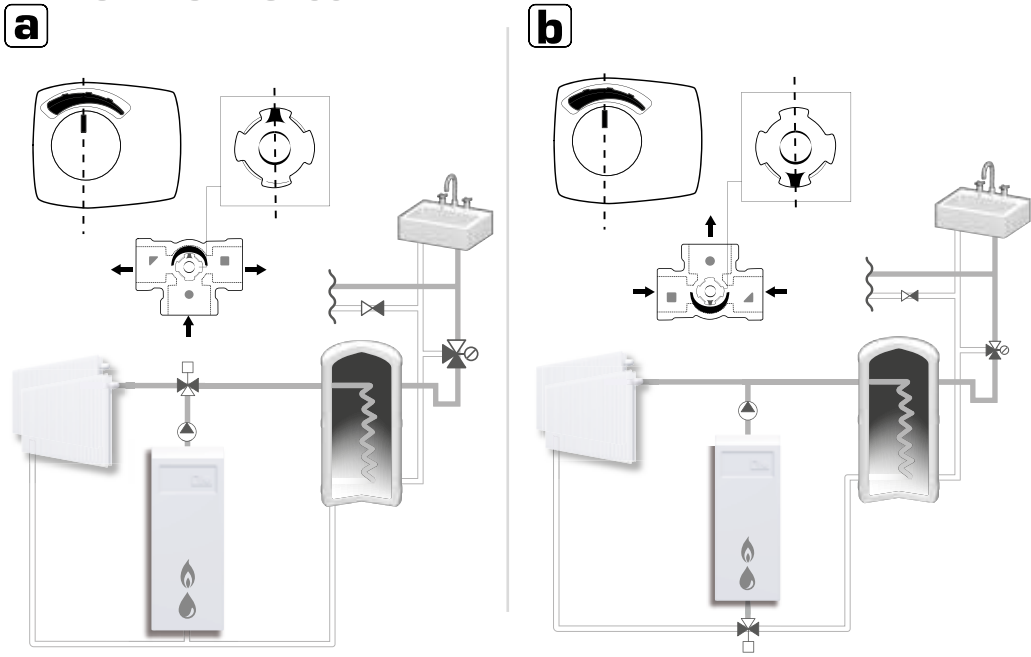
a



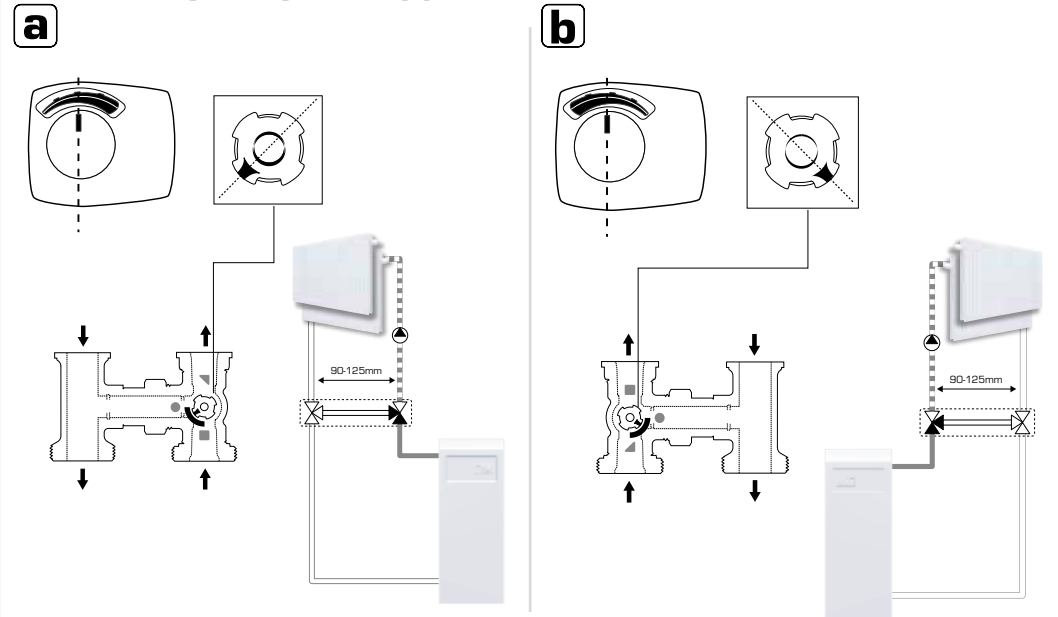
b



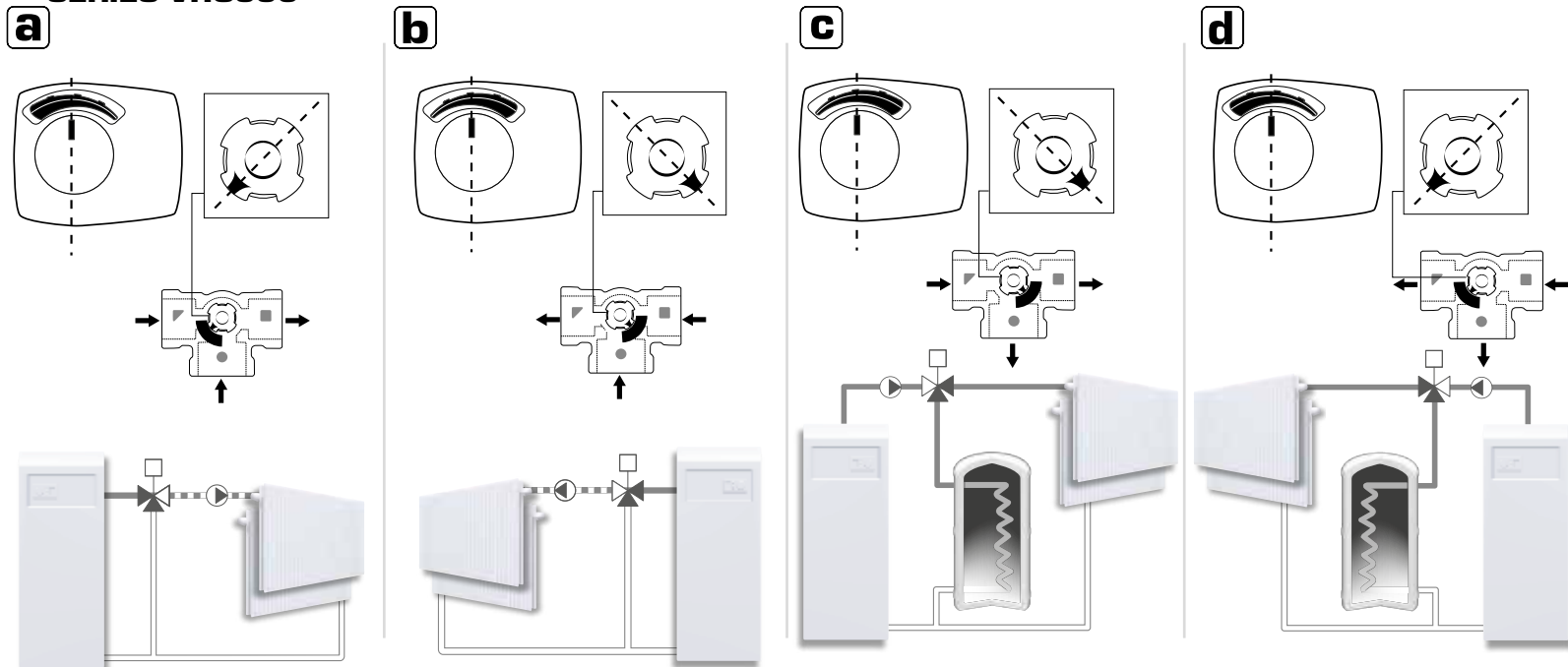
SERIES VRG230



SERIES VRH130

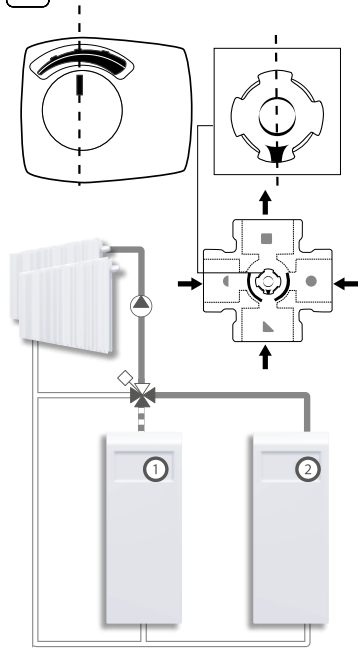


SERIES VRG330

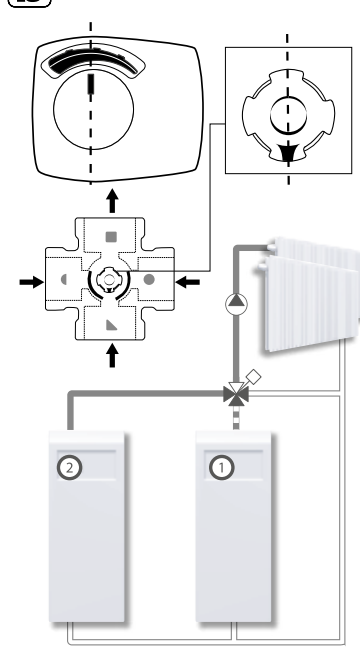


SERIES VRB140

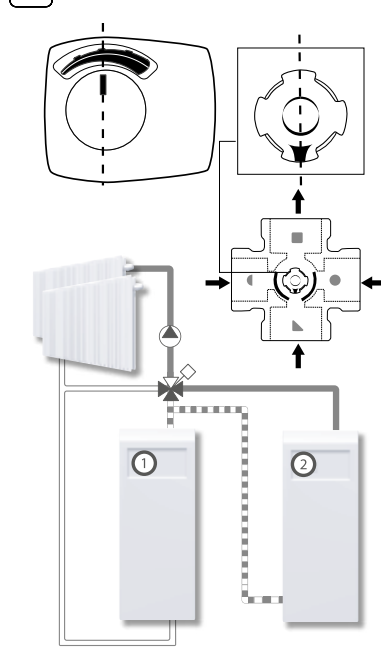
a



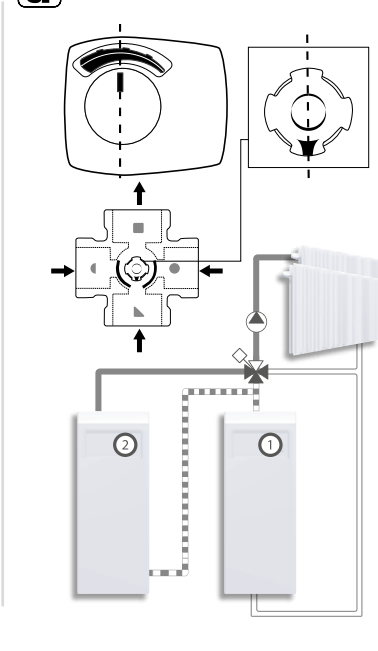
b



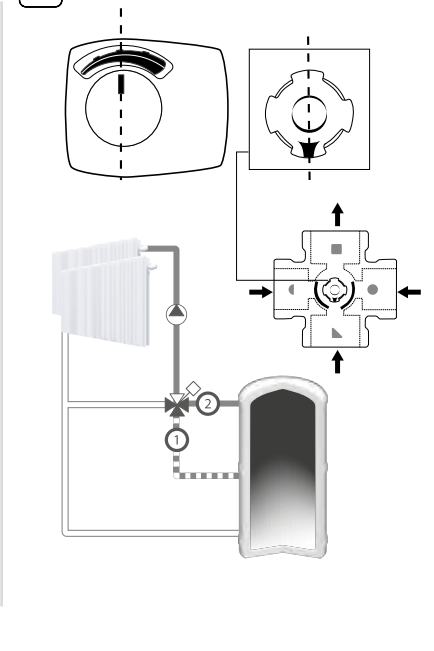
c



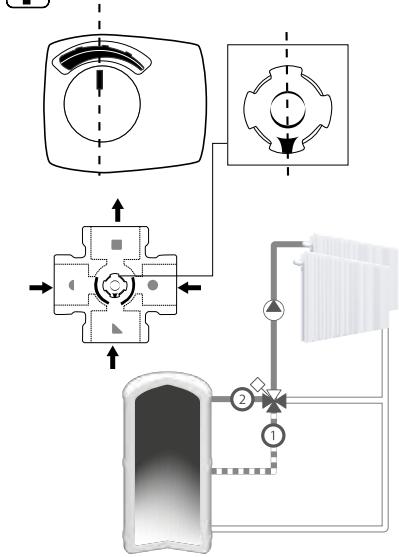
d



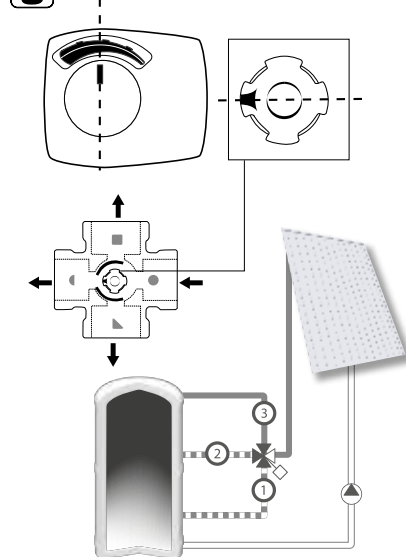
e



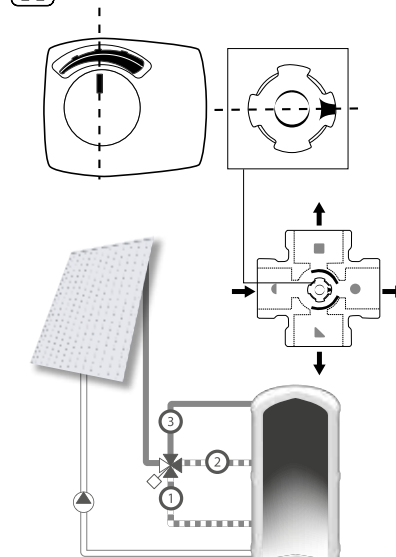
f



g

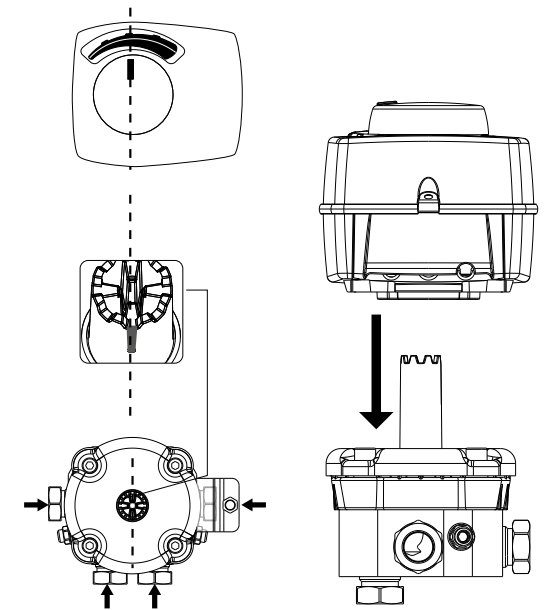


h



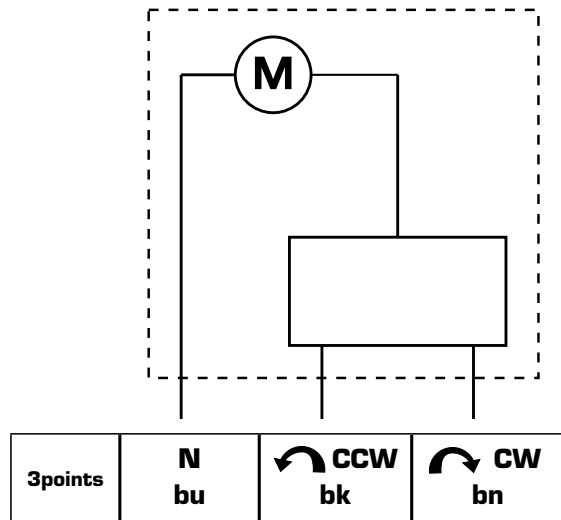
**We would like to point out the existence of a German patent DE 1 982 126 6 C5 offering the usage of bi-ported 4-way valves in liquid circulation heating systems. In this patent the usage of a 4-way bi-ported valve in a type of heating system is protected in which 2 different heating circuits are operated in parallel, where the return of the first circuit is utilized as heat source for the parallel second heat circuit. A typical application would be a primary heat circuit with a heat source and a parallel floor heating, where the floor heating in a regulated manner is heated through its heat source and the return from the primary heat circuit is utilized as alternative secondary heat source for the floor heating. Such a utilization of our bi-ported 4-way valve without approval of the patent holder is forbidden. All other applications our product group VRB are without restrictions possible.*

SERIES VRC160

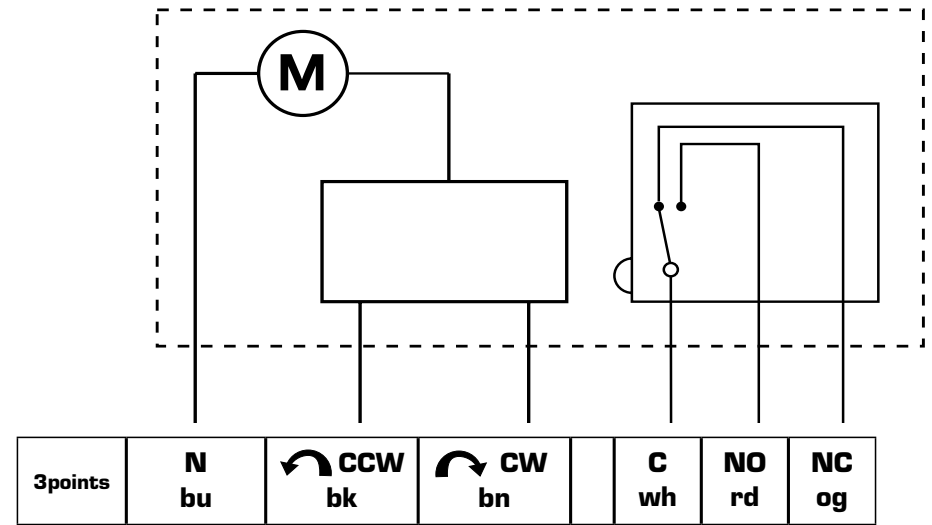




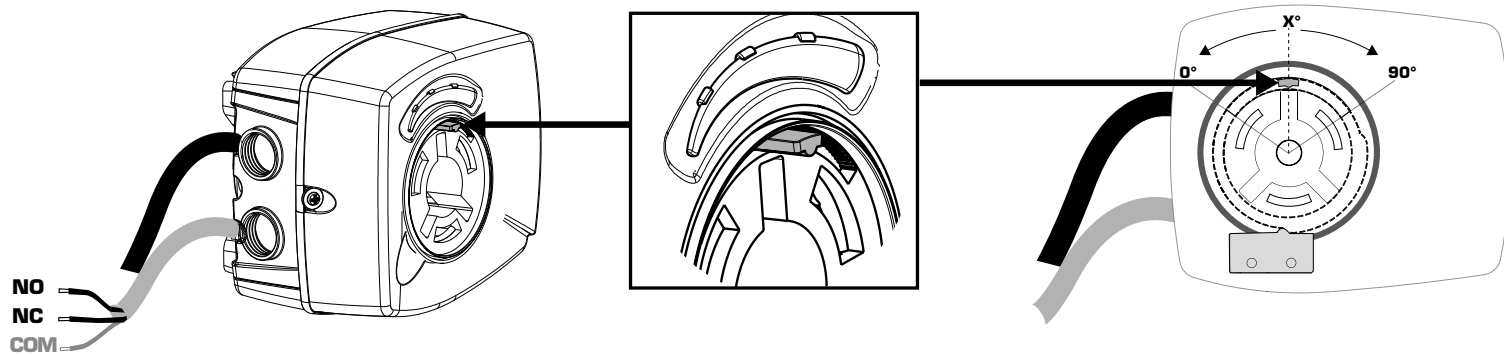
Series ARA6x1, ARA6x3



Series ARA6x2, ARA6x4



Series ARA6x2, 6x4



	0° - (90° - x°)	(90° - x°) - 90°
NO		
NC		
	X° = 45°	

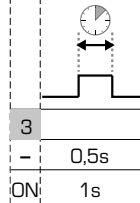
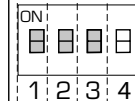
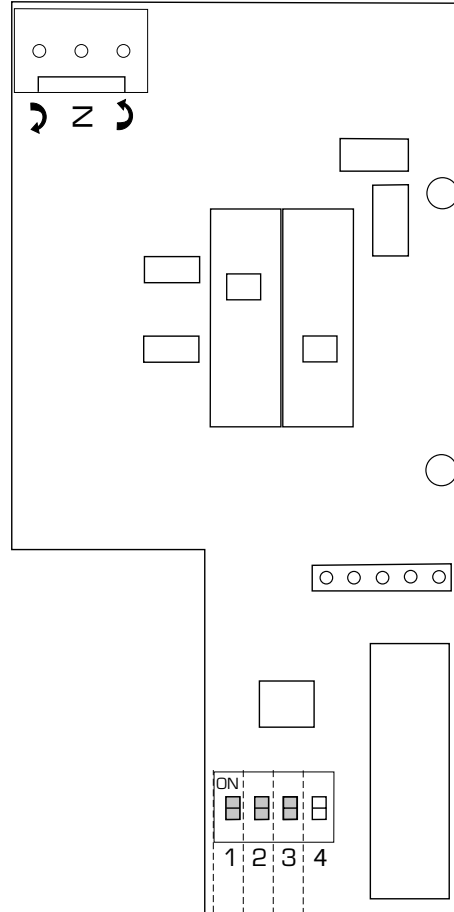
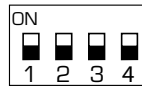
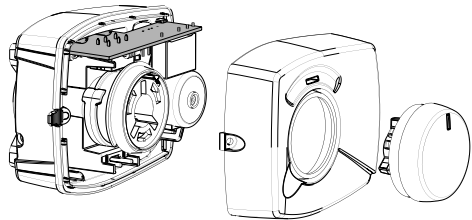
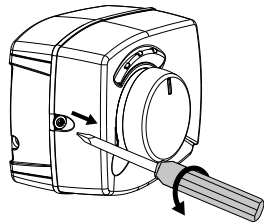


Series ARA69x

1



2



1	2	
-	-	120s
-	ON	240s
ON	-	480s
ON	ON	1200s

